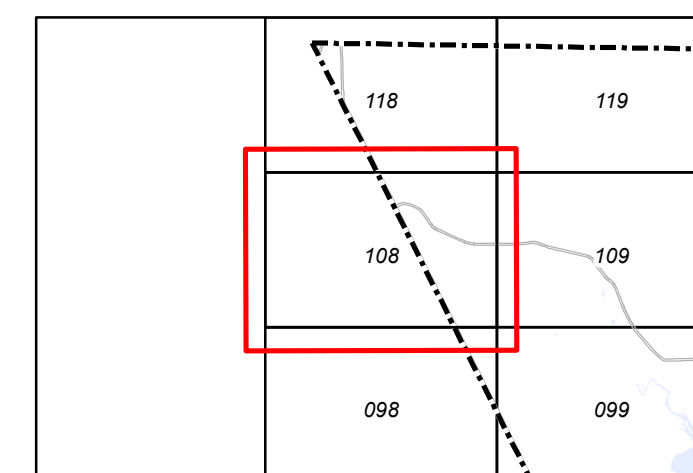
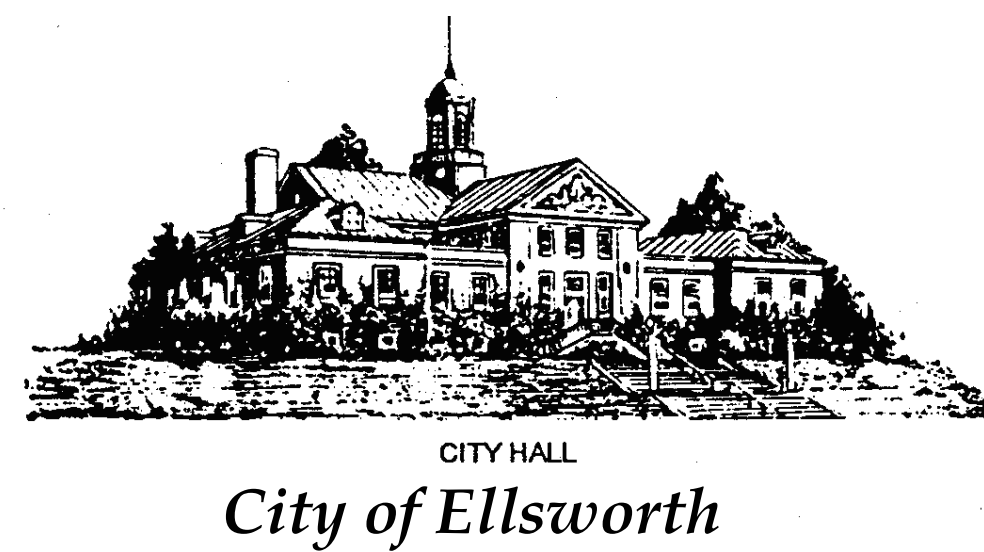


Legend

Property Line	Town Boundary	Surface Water
Old Property Line	Private Right-of-Way	Shoreland Zoning Districts
Parcel Lot Number	Public Right-of-Way	General Development
Survey Lot Number	Railroad Right-of-Way	Drinkingwater Protection
Parcel Lot Dimension	Landuse Zone Boundaries	Limited Commercial
Easement	Intermittent Streams	Limited Residential
Utility Right-of-Way	Perennial Streams	Stream Protection
	National Wetlands Inventory	Resource Protection



Disclaimer:
This information is provided as a service to the citizens of the City of Ellsworth and other interested persons. While every effort has been made to provide accurate information, the City does not warrant the accuracy of property and boundary lines, the dimensions of lots, the location of structures or improvements or topographic or geologic features on the land. Only on-site verification or field surveys can provide such accuracy.

Current as of April 1, 2009

Tax Map 108